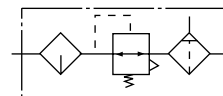


399 系列气源处理二联件
Series Filter Regulator and Lubricator



图形符号 Graphical symbols



型号注释 Order Code



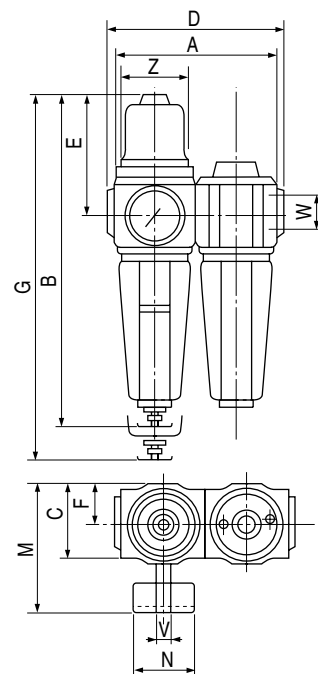
技术参数 Specification

最大工作压力 / Max working Pressure	1.0MPa
工作温度 / Working temp.	5~60°C
压力调节范围 / Adjustable range of pressure	0.05~1MPa
分水效率 / Moisture separation effectiveness	≥80%

流量 / Flow rate m³/h(L/min)

接管螺纹 Connection threads	G1/8~G1/4	G3/8~G1/2	G3/4~G1
当过滤度为50~75µm, 压降△P=0.1MPa时流量 when filtering is 50~70µm, pressure drop △P=0.1MPa, flow rate			
输入压力 Pressure input P1 (MPa)	输出压力 Pressure output P2 (MPa)		
1.0	0.1	13 (215)	37 (615)
1.0	0.25	21 (350)	55 (915)
1.0	0.4	25 (415)	65 (1080)
1.0	0.6	30 (500)	75 (1250)

当二联件的配接管直径小一号时, 流量约减少10%, 当滤芯微孔小一号时流量约减少7%。
With the pipeline to the two-in-one piece one size smaller in diameter, flow rate reduces by approx 10%. With filter element pore dia one size smaller, flow rate reduces 7%.



外形尺寸 Outlook & Dimension

型号 type	W	A	B	C	D	E	F	Z	G	V	N	M	重量(Kg) weight
399.213	G1/8	80	177	40	88	62	20	M30 × 1.5	202	G1/4	40	70	0.610
399.223	G1/4	80	177	40	80	62	20	M30 × 1.5	202	G1/4	40	70	0.800
399.253	G3/8	120	252	60	128	95	30	M50 × 1.5	292	G1/4	50	95	2.370
399.263	G1/2	120	252	60	120	95	30	M50 × 1.5	292	G1/4	50	95	2.350
399.283	G3/4	160	310	80	172	110	40	M67 × 1.5	360	G1/4	63	120	3.090
399.293	G1	160	310	80	160	110	40	M67 × 1.5	360	G1/4	63	120	3.040